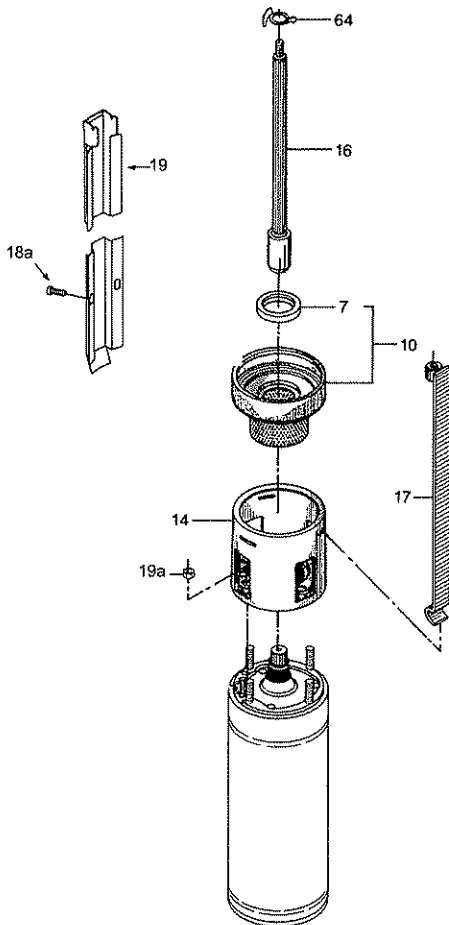
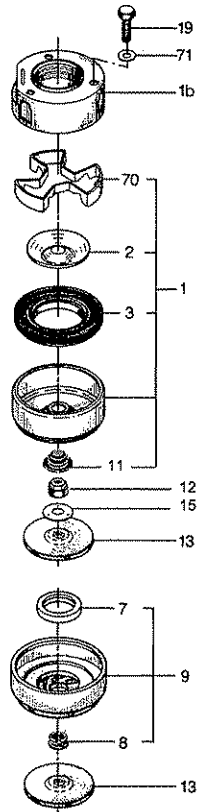


Kit Parts List

10S SPLINE SHAFT



POS.	DESCRIPTION	QTY.	PART #	KIT
1b	INLET/DISCHARGE KIT			INLET/DISCHARGE KIT
14	DISCHARGE PIECE 1 1/4" 4" INLET	1	095047	FOR ANY NUMBER
10	LOWER INT. W/SCREEN	1	085020	OF STAGE PUMPS
1	UPPER CHAM. W/ SAND BEARING	1	085029	(Three strap)
			085053	Part No.09002Z
	BEARING KIT			BEARING KIT
8	INT. BEARING	SEE KIT	080011	UP TO 9 STAGES Pn. 08003Z
7	SEAL RINGS	SEE KIT	095040	(HIGHER STAGES ORDER MULTIPLE KITS)
11	SAND BEARING	1	080089	
	IMPELLER KIT			IMPELLER KIT
13	IMPELLER	SEE KIT	095048	UP TO 9 STAGES Pn. 09005Z
19a	NUT KIT	1	UB9000	10 TO 18 STAGES Pn. 09006Z
19	BOLT FOR STRAP	3	ID3943	19 TO 27 STAGES Pn.09007Z
71	WASHER	3	410026	
	CHAMBER KIT			CHAMBER KIT
9	INT. CHAMBERS	SEE KIT	095051	UP TO 9 STAGES Pn. 08014Z
19a	NUT KIT	1	UB9000	10 TO 18 STAGES Pn.08015Z
19	BOLT FOR STRAP	3	ID3943	9 TO 27 STAGES Pn. 08016Z
71	WASHER	3	410026	
10	LOWER INT. W/SCREEN	1	085029	
	10S03-6 STRAP KIT			STRAP KIT
17	STRAP	3	089206	Part No. 08052Z
19	BOLT FOR STRAP	3	ID3943	
71	WASHER	3	410026	
18	CABLE GUARD	1	084606	
18a	SCREW FOR CABLE GUARD	2	ID7281	
	10S05-9 STRAP KIT			STRAP KIT
17	STRAP	3	089209	Part No.08055Z
19	BOLT FOR STRAP	3	ID3943	
71	WASHER	3	410026	
18	CABLE GUARD	1	084609	
18a	SCREW FOR CABLE GUARD	2	ID7281	
	10S07-12 STRAP KIT			STRAP KIT
17	STRAP	3	089212	Part No. 08058Z
19	BOLT FOR STRAP	3	ID3943	
71	WASHER	3	410026	
18	CABLE GUARD	1	084612	
18a	SCREW FOR CABLE GUARD	2	ID7821	

	10S10-15 STRAP KIT			STRAP KIT
17	STRAP	3	089215	Part No. 08061Z
19	BOLT FOR STRAP	3	ID3943	
71	WASHER	3	410026	
18	CABLE GUARD	1	084615	
18a	SCREW FOR CABLE GUARD	2	ID7821	
	10S10-21 STRAP KIT			STRAP KIT
17	STRAP	3	089221	Part No.08064Z
19	BOLT FOR STRAP	3	ID3943	
71	WASHER	3	410026	
18	CABLE GUARD	1	084621	
18a	SCREW FOR CABLE GUARD	2	ID7821	
	10S20-27 STRAP KIT			STRAP KIT
17	STRAP	3	089227	Part No. 08068Z
19	BOLT FOR STRAP	3	ID3943	
71	WASHER	3	410026	
18	CABLE GUARD	1	084627	
18a	SCREW FOR CABLE GUARD	2	ID7821	
	10S03-6 SHAFT KIT			SHAFT KIT
16	SHAFT	1	086206	Part No.08023Z
64	PRIMING PLATE	1	080051	
12	SAND NUT	1	080101	
15	UPTHRUST PLATE	1	080100	
	10S05-9 SHAFT KIT			SHAFT KIT
16	SHAFT	1	086209	Part No. 08026Z
64	PRIMING PLATE	1	080051	
12	SAND NUT	1	080101	
15	UPTHRUST PLATE	1	080100	
	10S07-12 SHAFT KIT			SHAFT KIT
16	SHAFT	1	086212	Part No. 08029Z
64	PRIMING PLATE	1	080051	
12	SAND NUT	1	080101	
15	UPTHRUST PLATE	1	080100	
	10S10-15 SHAFT KIT			SHAFT KIT
16	SHAFT	1	086215	Part No. 08032Z
64	PRIMING PLATE	1	080051	
12	SAND NUT	1	080101	
15	UPTHRUST PLATE	1	080100	
	10S15-21 SHAFT KIT			SHAFT KIT
16	SHAFT	1	086221	Part No. 08035Z
64	PRIMING PLATE	1	080051	
12	SAND NUT	1	080101	
15	UPTHRUST PLATE	1	080100	
	10S20-27 SHAFT KIT			SHAFT KIT
16	SHAFT	1	086227	Part No.08039Z
64	PRIMING PLATE	1	080051	
12	SAND NUT	1	080101	
15	UPTHRUST PLATE	1	080100	

COYOTE

PROTECTS THREE PHASE PUMPS and MOTORS from

UNDERLOAD

running dry
gas locking
air locking
clogged inlet
frozen discharge line

PHASE

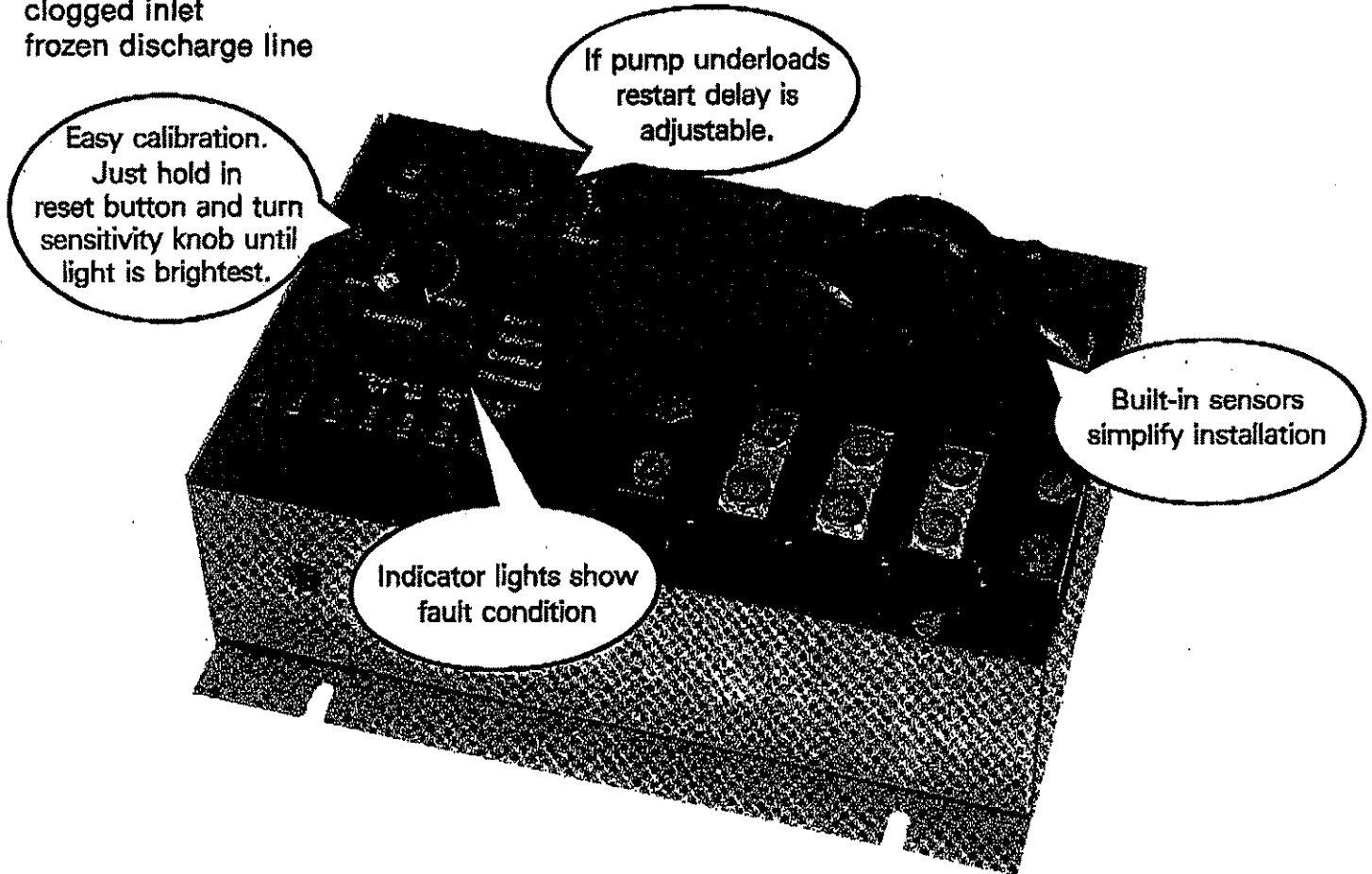
phase loss
phase reversal

OVERLOAD

excessive current draw
sand locking
broken wire to motor

VOLTAGE

high voltage
low voltage
voltage imbalance



NO PLUMBING • NO PROBES • FULLY AUTOMATIC

FOUR MODELS

208V
230V
460V
575V



AVAILABLE OPEN CHASSIS (AS PICTURED) OR IN

RAINFOOF ENCLOSURE

(Add "3R" to model number to order
rainproof enclosure)

No need to specify horsepower when ordering. Each voltage model will operate any horsepower motor in its range.

COYOTE

MANUFACTURING, INC.

ROUTE 66 • DRAWER 910, TIJERAS, NM 87059

THREE PHASE COYOTE TECHNICAL DATA

OPERATING RANGE

-20° TO + 70° C temperature
0% to 95% humidity noncondensing

RANDOM START

When energizing Coyote by turning on power at circuit breaker or fused disconnect there is a delay of 4 to 10 seconds before Coyote turns on the pump. This "random start" feature is designed to prevent many pumps served by a single power source from all restarting at the same instant when power is restored after a power outage.

VOLTAGE FAULT

model	low voltage		high voltage	
	trip	reset	reset	trip
3PH208V-ENC	172V	181V	235V	244V
3PH230V-ENC	190V	200V	260V	270V
3PH380V-ENC	320V	330V	430V	440V
3PH460V-ENC	380V	400V	520V	540V
	trip delay 2 seconds		reset delay 60 seconds	

PHASE LOSS OR REVERSAL

trip delay	reset delay
1 second	60 seconds

OVERLOAD

trip amps	trip delay	reset delay
120% of normal	1/4 second	60 seconds

Tries two times to restart 60 seconds apart. If unsuccessful, Coyote locks out pump and overload light blinks.

UNDERLOAD OR LACK OF FLUID

trip delay	reset delay
1 second	adjustable 1 minute - 12 hours

ALARM

Normally open dry contact closes to activate alarm on any fault condition.

ALL ABOUT THREE PHASE COYOTES

What does it do?

Coyote shuts off the pump:

- If the pump fails to pump fluid because there is no fluid available to it, or because it is gas locked or air locked, or because the inlet is clogged or discharge line frozen;
- If the power supplied to the pump is improper, e.g., phase reversed or missing, voltage too high or too low, etc.;
- If the motor draws excessive current or if there is a broken wire to the motor, or if it is rapid cycling on and off.

How does it work?

Coyote monitors the incoming power and the electrical characteristics of the motor. When the pump quits pumping fluid, those characteristics change, and Coyote shuts it off.

Will it operate on power supplied by generators and phase converters?

Yes.

On what kinds of pumps does it work?

Submersibles, centrifugals, jets, and sumps.

In what kinds of applications?

Water wells, oil wells, booster and lift stations, chemicals transfer, mine dewatering, sewage treatment, solution mining, food processing, construction dewatering, and clean-up of aquifers contaminated by hydrocarbons are the most common.

What about protection from the environment?

The insides of Coyote are sealed in plastic to keep out moisture, insects and blowing sand and dust.

What about power outages?

When the power is out, the pump won't run. When it comes back on, Coyote automatically resets itself. There is no need to touch anything.

What about lightning induced power surges?

Rugged and effective protection for the electronics of Coyote is built-in.

How is it installed?

Coyote is installed between the circuit breaker and magnetic contactor in minutes with a standard screwdriver.

What if I need something a little different from the standard unit?

Please call us. Options too numerous to detail here are available.



Packaged complete with magnetic contactor in NEMA 3R box

Model

3PH208V-MAG
3PH230V-MAG
3PH380V-MAG
3PH460V-MAG

LIMITED WARRANTY

Coyote products are warranted against faulty materials or workmanship for one year from date of manufacture. Coyote's liability under this warranty is limited to repairing, replacing, or at its option issuing credit for any product returned during this period, and provided that any such defect has not been caused by misuse, neglect, improper installation, repair, or alteration. Coyote will not be liable and specifically disclaims responsibility to any party for loss, direct or indirect, for costs, expenses, or for consequential damage of any nature.