

CT Series

High Pressure Centrifugal Pumps
 $\frac{1}{2}$ - $2\frac{1}{2}$ HP
 Heads to 140 Feet
 Capacities to 95 GPM



MYERS CT SERIES LINE OF HIGH PRESSURE CENTRIFUGAL PUMPS PROVIDES QUALITY AT A COMPETITIVE PRICE. The complete line of $\frac{1}{2}$ to $2\frac{1}{2}$ HP units provide strong pressures up to 140 feet and flows up to 95 gpm.

The rugged cast iron body construction is available with either a corrosion resistant composite or brass impeller. The brass impeller unit is equipped with a high temperature, viton seal for more demanding applications. The heavy duty motor features a double ball bearing, 50° C ambient, dual voltage design for dependable service. The compact, back pullout design provides easy installation and serviceability.

The quality features of the CT series will provide dependable service for a wide variety of applications.

SPECIFICATIONS

HP	Catalog No.		Pipe Tapping Sizes		Motor Voltage	Phase	Approx. Wt. Lbs.
	Composite Impeller	Brass Impeller	Suction (NPT)	Discharge (NPT)			
$\frac{1}{2}$	CT05	CT05B	1 $\frac{1}{4}$ "	1"	115/230	1	30
	CT053	CT05B3	1 $\frac{1}{4}$ "	1"	208/230/460	3	30
$\frac{3}{4}$	CT07	CT07B	1 $\frac{1}{4}$ "	1"	115/230	1	32
	CT073	CT07B3	1 $\frac{1}{4}$ "	1"	208/230/460	3	32
1	CT10	CT10B	1 $\frac{1}{4}$ "	1"	115/230	1	35
	CT103	CT10B3	1 $\frac{1}{4}$ "	1"	208/230/460	3	35
1 $\frac{1}{2}$	CT15	CT15B	1 $\frac{1}{4}$ "	1"	115/230	1	40
	CT153	CT15B3	1 $\frac{1}{4}$ "	1"	208/230/460	3	40
2	CT20	CT20B	1 $\frac{1}{4}$ "	1 $\frac{1}{4}$ "	115/230	1	57
	CT203	CT20B3	1 $\frac{1}{4}$ "	1 $\frac{1}{4}$ "	208/230/460	3	57
2 $\frac{1}{2}$	CT25	CT25B	2"	1 $\frac{1}{2}$ "	115/230	1	62
	CT253	CT25B3	2"	1 $\frac{1}{2}$ "	208/230/460	3	62

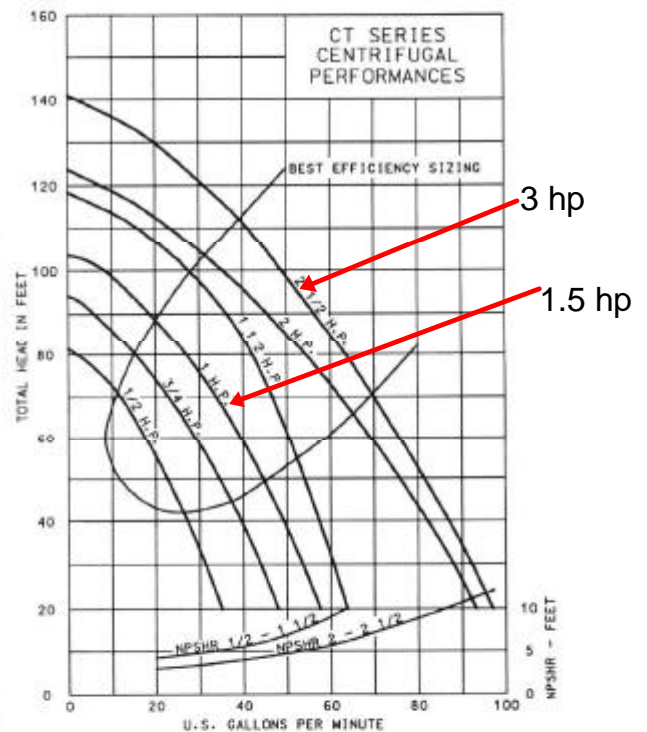
ADVANTAGES BY DESIGN

- Heavy duty cast iron construction.
- Back pull-out design.
- Dependable double ball bearing motor
- Continuous duty rating motor.
- Choice of brass or composite impeller.
- Brass impeller pumps rated 212° F.
- Composite impeller pumps rated 140° F.
- Maximum working pressure of 125 psi.
- CSA listed.

Applications

- Booster service
- Irrigation
- Circulating
- Cooling towers
- Air conditioning
- Liquid transfer
- Sprinkling systems
- General industrial service

PUMP PERFORMANCE



WHERE INNOVATION MEETS TRADITION

Myers

ISO 9001 Certified Company

CT Series

High Pressure Centrifugal Pumps

1/2 - 2 1/2 HP

Heads to 140 Feet

Capacities to 95 GPM

1. MOTOR

- NEMA standard
- Double ball bearing
- Open drip proof
- 60 Hz, 3450 rpm
- Stainless steel shaft
- Single phase with built-in overload protection
- Three phase require overload protection in starter unit
- Non-overloading
- Continuous duty
- Strong capacitor start design

2. SEAL PLATE

- Heavy duty cast iron for dependable service and long life

3. IMPELLER

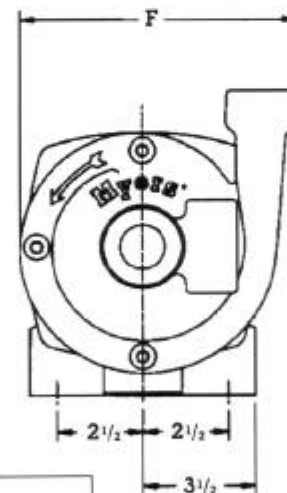
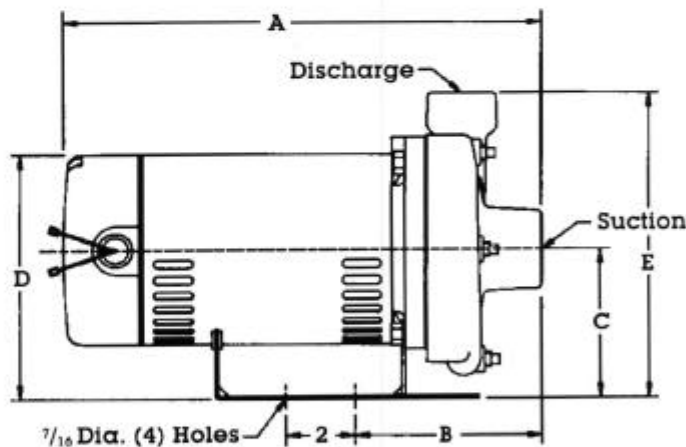
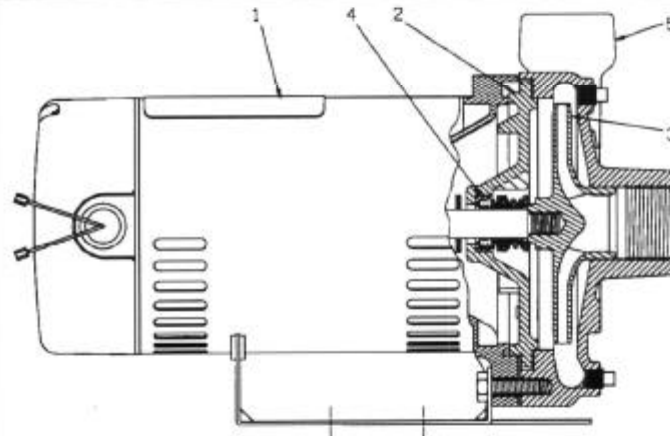
- Reinforced composite for applications to 140° F
- Threaded SST insert on composite impellers
- Brass for applications to 212° F
- Enclosed design for high efficiencies
- Balanced for smooth operation

4. MECHANICAL SEAL

- Standard carbon/ceramic faces, Buna elastomers, 300 series SST components (standard for pumps with composite impellers)
- High temperature carbon/ceramic faces, viton elastomers, 300 series SST components (standard for pumps with brass impellers)

5. CASING

- Heavy duty cast iron construction
- Back pull-out design
- Discharge can be rotated in four positions
- Tapped openings for priming, venting and draining.
- Vertical discharge standard



HP	Dimensions, inches							
	A	B	C	D	E	F	Suct.	Disch.
1/2	13 7/8	5 1/2	4 7/8	7 1/4	9	8	1 1/4	1
3/4	14 3/8	5 1/2	4 7/8	7 1/4	9	8	1 1/4	1
1	15 1/8	5 1/2	4 7/8	7 1/4	9	8	1 1/4	1
1 1/2	15 1/8	5 1/2	4 7/8	7 1/4	9	8	1 1/4	1
2	16 1/2	6 1/4	4 1/2	7 1/2	9 1/2	8 7/8	1 1/2	1 1/4
2 1/2	16 1/2	6 1/4	4 1/2	7 1/2	9 1/2	8 7/8	2	1 1/2