



DRAWN BY:

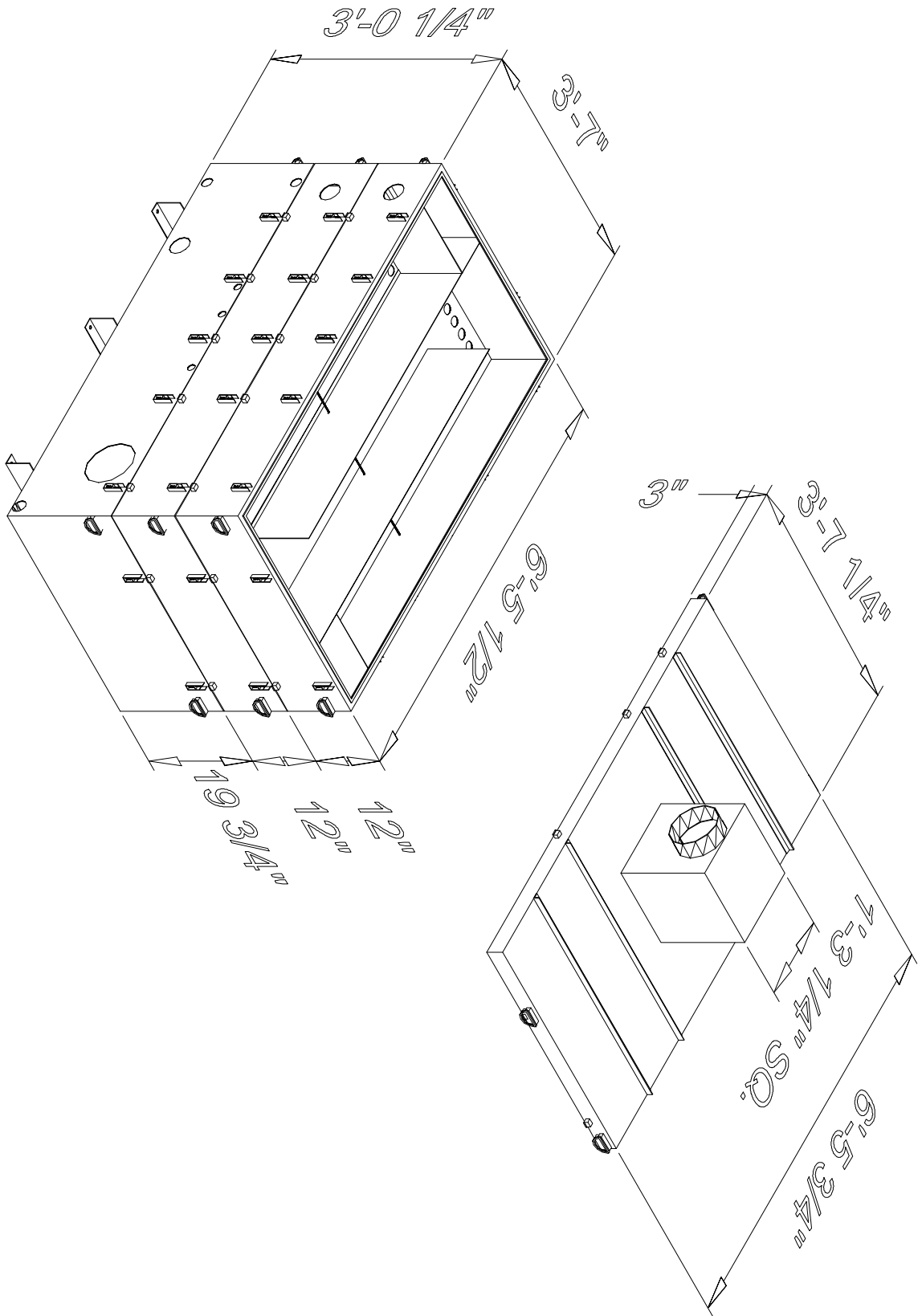
MLR

DRAWN DATE:

01/23/06

SERIAL NUMBER:

NA



MODEL LP-150 AIR STRIPPER
(SCALE: 1/2"=1'-0")

X

FIGURE
NUMBER