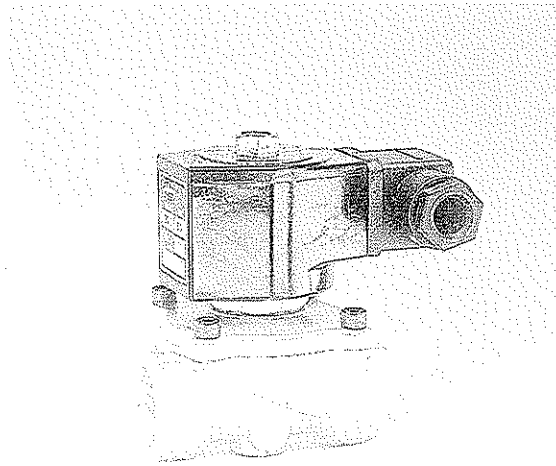


1335

2 way solenoid valves.  
General purpose.



### 1335 Series

#### Main characteristics

Forged brass, stainless steel body.  
BSP or NPT threaded connections.  
Encapsulated plug-in coils.  
Shape A DIN 43650 Connection. IP65 and NEMA4 Protection.  
Normally closed and normally open.  
Metal core diaphragm and seats with different resilient compounds, according to the fluid.

#### Options:

- Energized coil indicator light.
- Explosion and / or weather coils and housings.
- Manual operation.

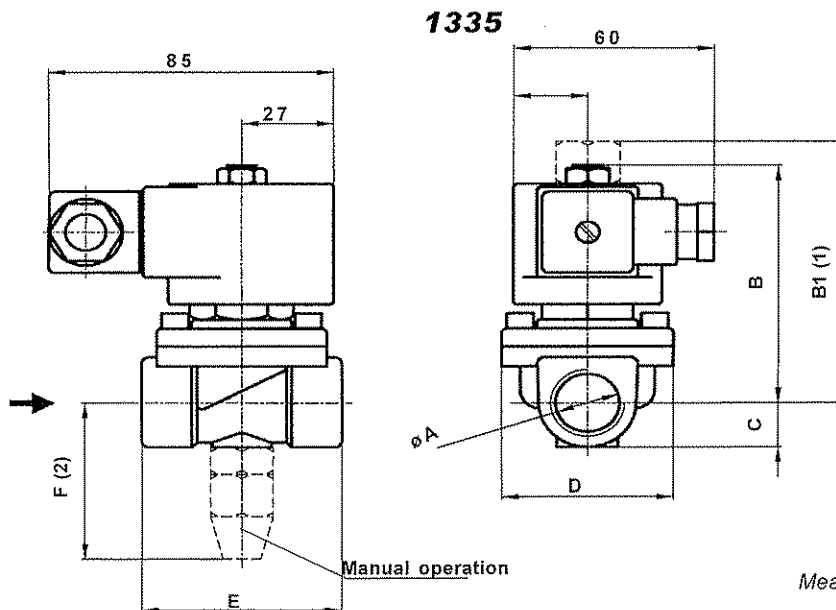
#### Technical specifications

Ø Connect.	Ø Passage mm.	Kv Coef. m³/h.	Weight in kg.	Maximum Temp. and catalog N° according to seat and diaphragm materials			
				Acrylo - Nitrile	Neoprene®	Ethyl-propylene	Viton®
				80°C	80°C	150°C	150°C
Brass body - Direct acting - Normally closed - Minimum Δp : 0 bar - Maximum Δp : 0,1 bar.							
3/8"	14	2,35	0,8	1335BA3D	1335BN3D	1335BE3D	1335BV3D
1/2"	14	2,65	0,8	1335BA4D	1335BN4D	1335BE4D	1335BV4D
3/4"	18	4,30	0,9	1335BA6D	1335BN6D	1335BE6D	1335BV6D
Brass body - Servo operated - Normally closed - Minimum Δp : 0,1 bar - Maximum Δp : 10 bar.							
3/8"	14	2,35	0,8	1335BA3	1335BN3	1335BE3	1335BV3
1/2"	14	2,65	0,8	1335BA4	1335BN4	1335BE4	1335BV4
3/4"	18	4,30	0,9	1335BA6	1335BN6	1335BE6	1335BV6
Brass body - Combined acting - Normally closed - Minimum Δp : 0 bar - Maximum Δp : 7 bar.							
3/8"	14	2,35	0,8	1335BA3A	1335BN3A	1335BE3A	1335BV3A
1/2"	14	2,65	0,8	1335BA4A	1335BN4A	1335BE4A	1335BV4A
3/4"	18	4,30	0,9	1335BA6A	1335BN6A	1335BE6A	1335BV6A
Brass body - Servo operated action - Normally open - Minimum Δp : 0,1 bar - Maximum Δp : 10 bar.							
3/8"	14	2,35	0,8	1335BA3INA	1335BN3INA	1335BE3INA	1335BV3INA
1/2"	14	2,65	0,8	1335BA4INA	1335BN4INA	1335BE4INA	1335BV4INA
3/4"	18	4,30	0,9	1335BA6INA	1335BN6INA	1335BE6INA	1335BV6INA

Investment cast AISI 316 stainless steel body; change letter "B" for "I" to catalog number. Example: 1335IV4.



General dimensions



Measurements: mm.

Connection (A)	B	B1	C	D	E	F
R 3/8"	80	88	15	51	60	53
R 1/2"						
R 3/4"	82	90	17	58	72	55

NOTES: (1) Normally open version  
(2) Manual operation (optional)

NPT Connections

Add suffix "T" to catalog N°. Example: 1335BA3DT.

Special constructions

- Investment cast AISI316 Body. Change letter B for I to Catalog N°. Example: 1335IV4.
- Vacuum systems: Consult Jefferson.

Coils

- CA 50 Hz: 11 W, MF11C type, for 12 V, 24 V, 110 V, 220 V, 240 V.
- CA 60 Hz: 13 W, MF13C type, for 12 V, 24 V, 110 V, 120 V, 220 V, 240 V.
- DC: 19 W, MF19C type, for 12 V, 24 V, 110 V, 220 V.

Options

- Explosion and weather proof coils. Add prefix ZC to valve catalog. Example: ZC1335BA4.
- Water, weather and saline corrosion proof coils. NEMA 4x. Add prefix YC to valve catalog. Example: YC1335BN4.
- Explosion and weather proof housing. Add prefix Z to valve catalog. Example: Z1335BA6A.
- Manual operation: Add suffix -M to catalog N°. Example: 1335BA4-M.
- Energized coil indicator light. See coil section.

Recommendations for the installation

Place a strainer upstream of the valve with a porosity  $\square$  100 $\square$ . Install the valve in any position, preferably on a horizontal pipeline with the coil upright.

Applications according to the seat and / or diaphragm material.

Seat material	Acrylo Nitrile	Neoprene*	Ethyl-Propylene	Viton*
Maximum Temperature	+80°C	+80°C	+150°C	+150°C
Uses	Water, air, light oils. Gas-oil, kerosene. Low and medium vacuum	Oxygen, alcohol, argon, other non-corrosive light gases and liquids. Freon 12.	Water steam, hot water, acetone.	Benzene, naphtha, aromatics, benzene, etc.. Hot gases. High vacuum.