

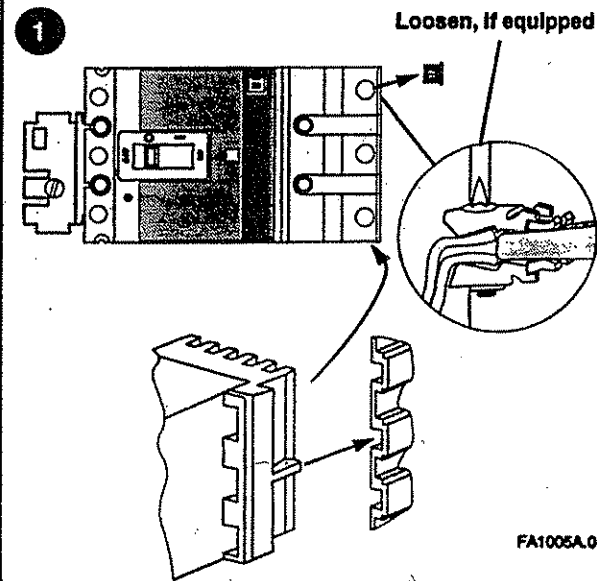


# INSTALLATION INFORMATION FOR FA, FC, FH, AND SFH CIRCUIT BREAKERS

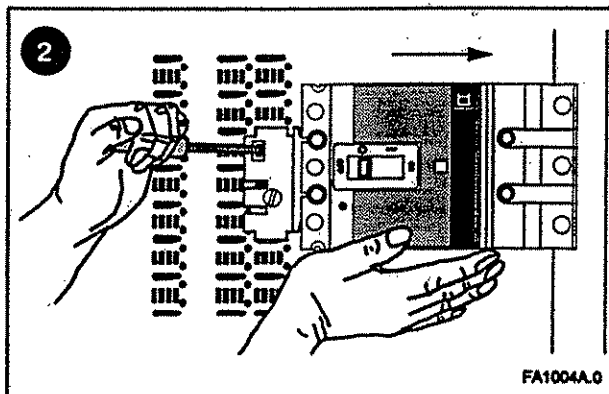
## I-LINE® CIRCUIT BREAKER INSTALLATION

**WARNING:** Hazardous voltages can cause severe personal injury or death and/or property damage. Disconnect all power to electrical equipment before installing or removing circuit breaker.

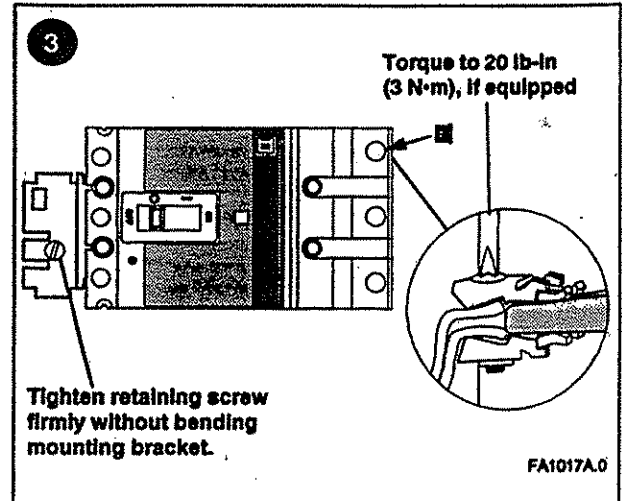
**CAUTION:** Plug-on jaws are factory set. Do not adjust. Do not remove joint compound from plug-on jaws. If necessary, use Square D joint compound PJC7201.



**NOTE:** Install main circuit breaker adjacent to main lugs.



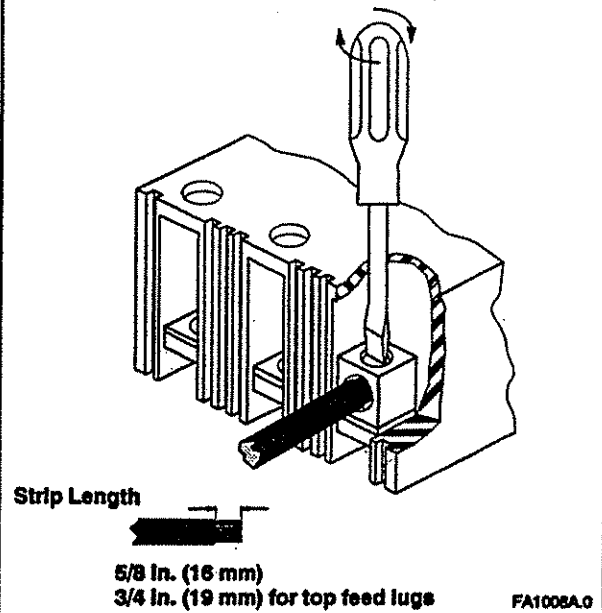
I-LINE is a trademark of Square D Company.



## WIRE INSTALLATION – ALL CIRCUIT BREAKERS

**CAUTION:** Wire strands interfering with wire binding screw can cause false torque indication. Do not allow wire strands to interfere with threads of wire binding screw.

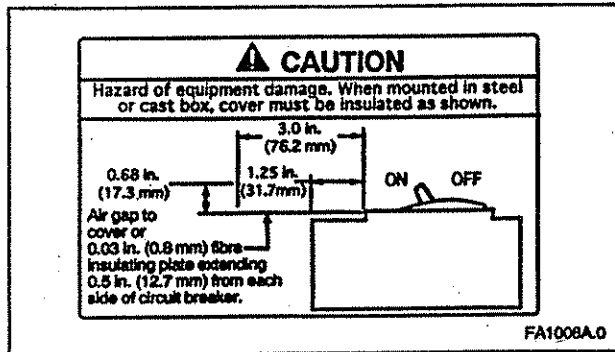
See circuit breaker faceplate label or optional lug instructions for wire size and torque.



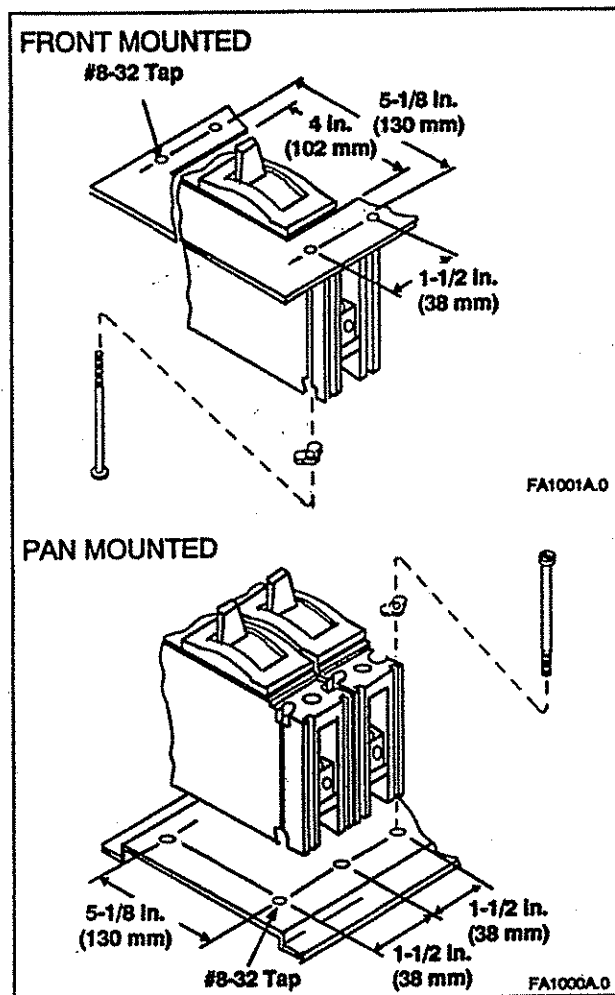
## INDIVIDUALLY-MOUNTED CIRCUIT BREAKER INSTALLATION

See last page for mounting dimensions.

### Clearances

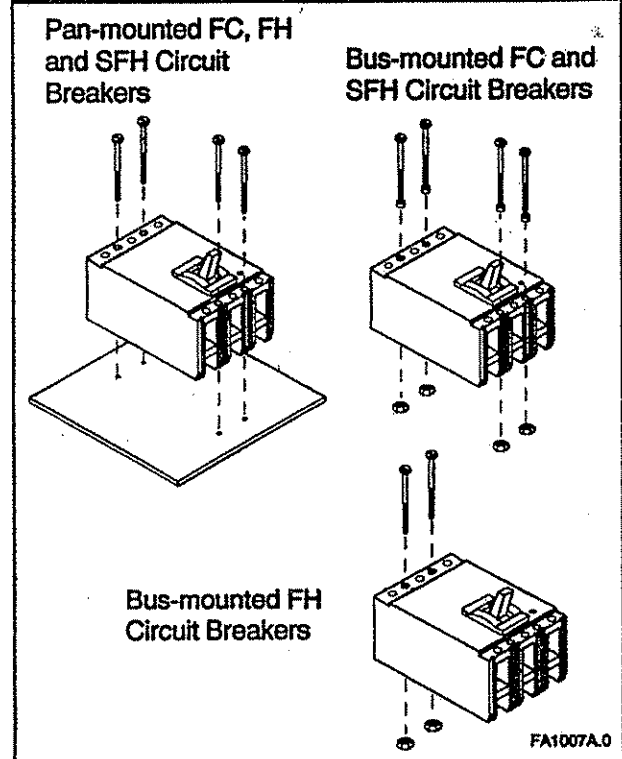


### One-pole FA and FH Circuit Breakers

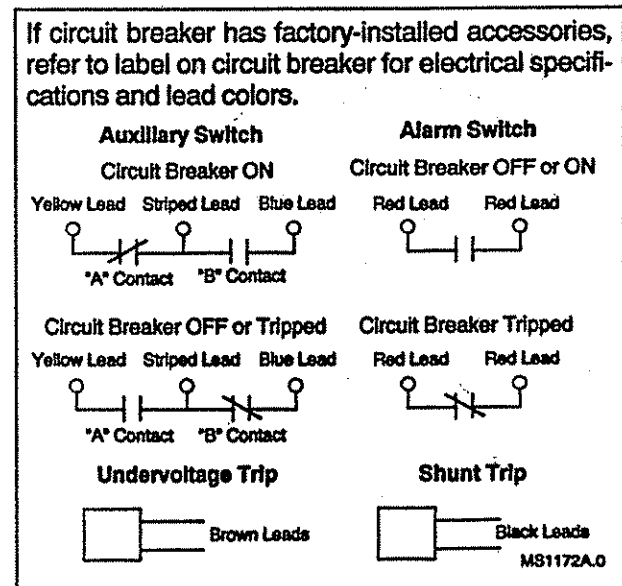


## FC, FH and SFH Circuit Breaker

**WARNING:** Hazard of cover separation under short-circuit conditions can cause severe personal injury or death. Mount circuit breaker as shown in these instructions to prevent cover separation.



## FACTORY-INSTALLED ACCESSORIES



## PADLOCK ACCESSORY

**WARNING:** Hazardous voltages can cause severe personal injury or death and/or property damage. With padlock accessory installed, circuit breaker does not comply with IEC 947 positive contact indication requirement for isolation. Before locking circuit breaker handle OFF, make sure circuit breaker is open by placing its handle in OFF position and checking that voltage is not present on circuit being protected.

## CIRCUIT BREAKER REMOVAL

**WARNING:** Hazardous voltages can cause severe personal injury or death and/or property damage. Disconnect all power to electrical equipment before installing or removing circuit breaker.

Remove circuit breaker in reverse order of installation.

## CIRCUIT BREAKER OPERATION

Press push-to-trip button once a year to exercise circuit breaker.

Push-to-trip Button    Push-to-trip Button    Push-to-trip Button

ON  
Tripped  
OFF  
Reset

FA1003A.0

## TROUBLESHOOTING

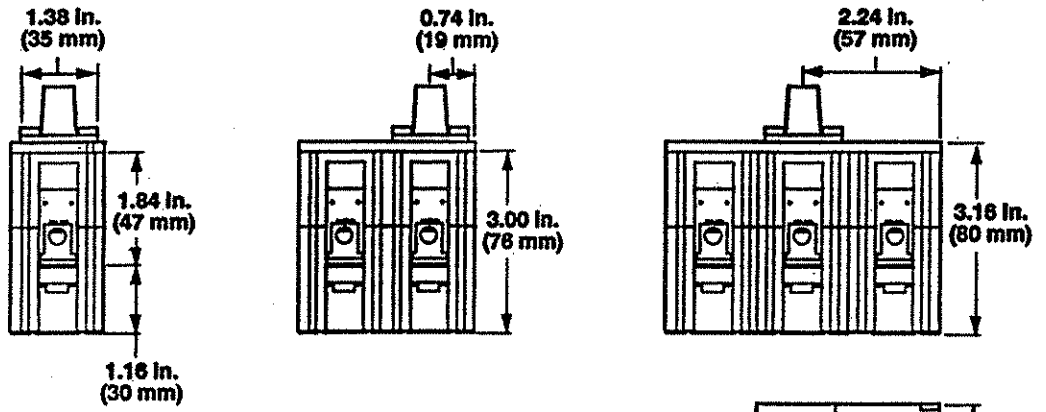
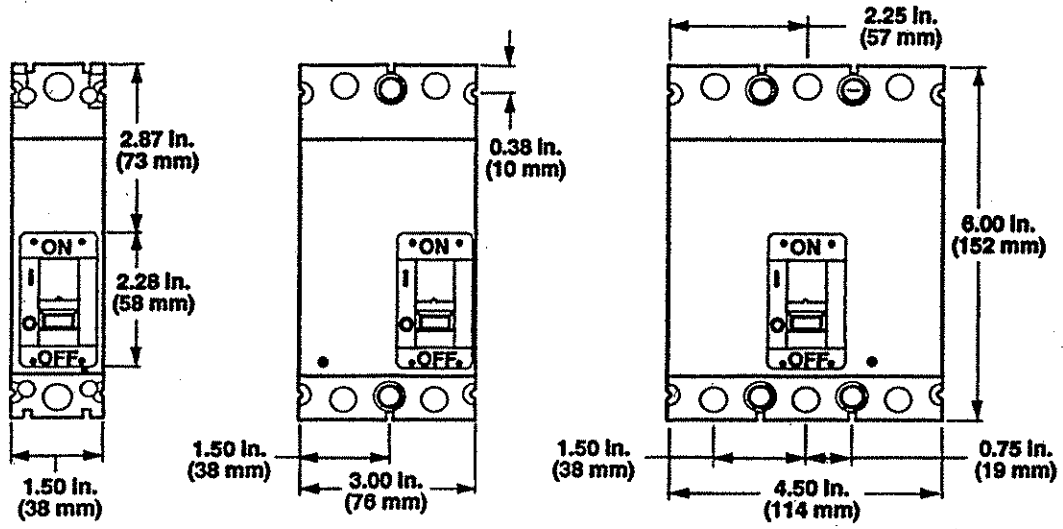
If problems occur during installation, refer to the following guide. If trouble persists, contact the local Square D Field Office.

**WARNING:** Hazardous voltages can cause severe personal injury or death and/or property damage. Disconnect all power to electrical equipment before installing, removing or adjusting circuit breaker or other components.

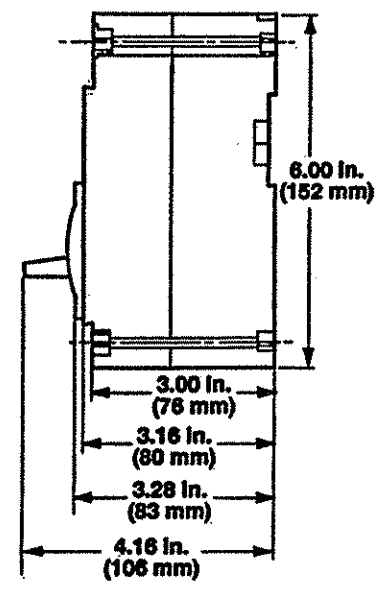
CONDITION	POSSIBLE CAUSES	SOLUTION
Circuit breaker fails to stay closed.	<ol style="list-style-type: none"> <li>1. Undervoltage trip not energized.</li> <li>2. Shunt trip energized.</li> <li>3. Short circuit or overload on system.</li> </ol>	<ol style="list-style-type: none"> <li>1. Energize undervoltage trip.</li> <li>2. De-energize shunt trip.</li> <li>3. Check system for short circuit or overload.</li> </ol>
Circuit breaker trips, but no short circuit or overload is evident.	<ol style="list-style-type: none"> <li>1. System voltage below undervoltage trip setting.</li> </ol>	<ol style="list-style-type: none"> <li>1. Check system for low voltage.</li> </ol>
Push-to-trip button will not trip circuit breaker.	<ol style="list-style-type: none"> <li>1. Circuit breaker already tripped or in the OFF position.</li> </ol>	<ol style="list-style-type: none"> <li>1. Move circuit breaker handle to reset then to ON position. Press push-to-trip button.</li> </ol>

# DIMENSIONS

NOTE: Two-pole FC circuit breakers have the same dimensions as three-pole FC circuit breakers.



(4) #8 - 32 x 3 in. pan-head mounting screws, torque to 17 to 21 lb-in (1.9 to 2.4 N·m)



FA1002A.0

