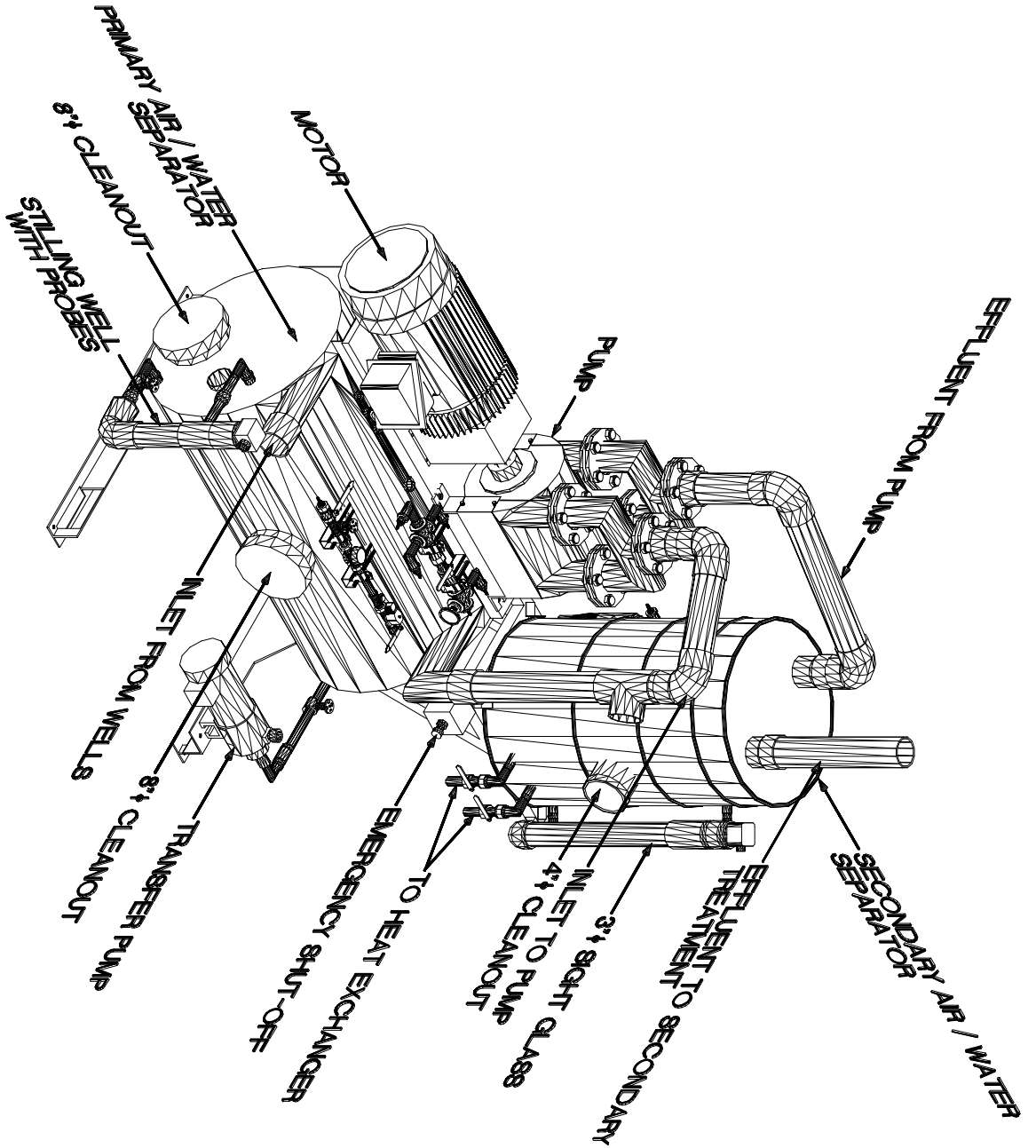


**IMT**  
INNOVATIVE  
Manufacturing  
Technology

DRAWN BY: MLR  
DRAWN DATE: 01/23/06  
SERIAL NUMBER: NA



DUAL PHASE SYSTEM  
(SCALE: 3/4"=1'-0")

FIGURE  
NUMBER  
**X**